

NEW

Electric Conductivity Detector

Shodex CD-200

The electric conductivity detector is designed for ion chromatography. It is recommended for anion or cation analysis in aqueous solution.

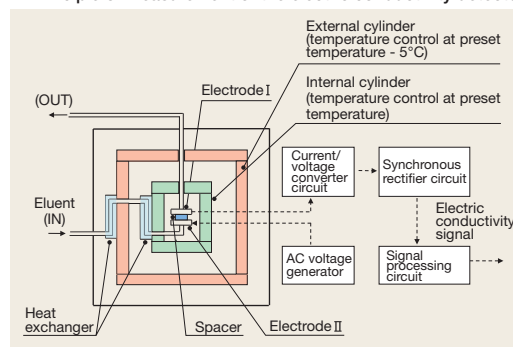
Features

- With use of the built-in double temperature control cell, this detector enables highly sensitive measurement.
- The detector supports a wide range of measurement and is usable for ion chromatography with or without suppressor method.

Product Code	F5515010
Model	CD-200
Measurement method	Two-electrode system
Measurement limit	0~600mS/m (0~6mS/cm)
Measurement range	0.0025~5.12mS/m, 0.025~51.2mS/m, 0.25~512mS/m
Linearity range	600mS/m
Response	0.1, 0.25, 0.5, 1.0, 1.5, 2, 3, 6sec
Auto zero limit	Same as measurement limit
Baseline shift	Range;0~2mS/m, Resolution;0.01mS/m
Integrator output	0~1V (Sensitivity;200, 20, 2mV/mS/m)
Recorder output	0~10mV/FS
External input	① ZERO IN ② MARKER IN
External Output	① READY (TEMPERATURE STABILIZED) ② LEAK ③ ERROR (ROM, RAM, PARAMETER, SENSOR, OVER HEAT, ZERO OVER) ④ MARKER OUT
Cell Temperature control	OFF, 30~50°C (1°C step), 77°C Temp. fuse
Communication port	USB
Cell volume	2.5μL
Pressure rating	1MPa
Wetted materials	Stainless steel 316, Teflon, PEEK
Dimension, Weight	W260 x D400 x H150 (mm), ca. 8kg
Power source, Power consumption	AC 100~240V±10%, 200VA max



■ Principle of measurement of the electric conductivity detector



Dissolved Gas Removal Devices

DEGASSER ERC-3215α, 3415α

The ERC-3000α series efficiently remove dissolved gases in the eluent.

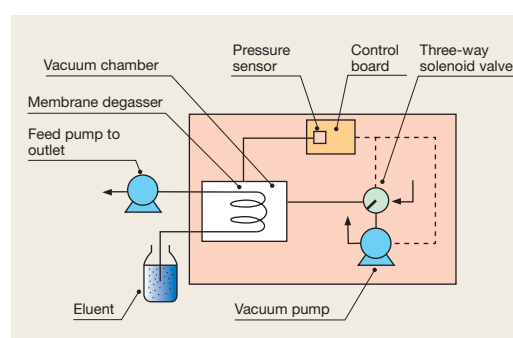
Degassing principle

A special synthetic resin membrane (degassing membrane) is used to selectively remove dissolved gasses; using the characteristics of the small molecular size of the dissolved gas with high mobility and affinity to the membrane.

Features

- Pressure sensor and leak monitor assure a high degree of safety.
- Dead volume is minimized to 7 ml/flow channel.
- Any pump can be used since differential pressure is low.
- Continuous degassing mode aids eluent preparation for high-sensitivity analysis.
- EMC and LVD compliance, with CE marking.

Product Code	Y4617000	Y4617004
Model	ERC-3215α	ERC-3415α
Solvent Channels	2 channels	4 channels
Degassing capacity	When ion-exchanged water saturated with air at 25°C is put through at a flow rate of 3 mL/min, no bubble is observed at the outlet of the apparatus. (Measured dissolved oxygen level at the outlet: 2 ppm at flow rate of 3 mL/min)	
Internal volume	7mL/Channel	
Max. Flow Rate	20mL/min for each channel (Eluent : 25°C Pure water)	
External output	An open connector signal is delivered to the external output signal terminal, when "PRES" and "LEAK" LEDs lights are on.	
Dimensions	W71 x D310 x H136 (mm)	
Power source	AC100V~AC240V, 50/60Hz	
Functions, Displays	<ul style="list-style-type: none"> ● Power On/Off display : "POWER" LED lights, when the power is supplied. ● Status monitoring function : "READY" LED lights, when the internal pressure in the vacuum chamber is below a predetermined limit. ● Pressure monitoring function : "PRES" LED lights, when the internal pressure in the vacuum chamber does not reach a predetermined level within a predetermined time. ● Leak monitor : "LEAK" LED lights, when the liquid leaks in the apparatus. ● Self cleaning : The vacuum line is cleaned by air suction. ● Vacuum pump operation switching function: NORM. : Controlled operation in normal run CONT. : Continuous operation in case of high degree of degassing 	
Weight	ca. 5.1kg	ca. 5.5kg



● In addition to this product, various degassers are available including the six-flow channel type and the high flow rate type. For details, please contact Shodex or our distributors near you.